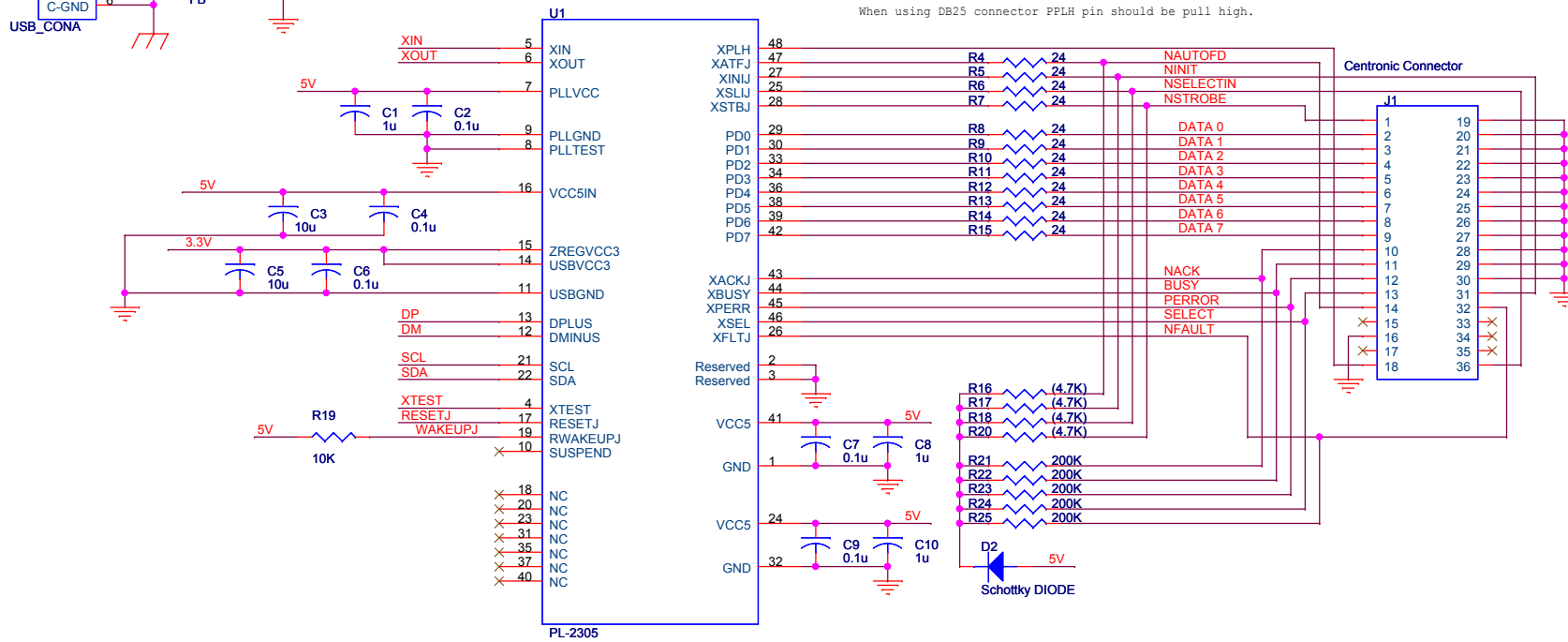
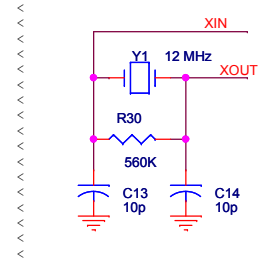
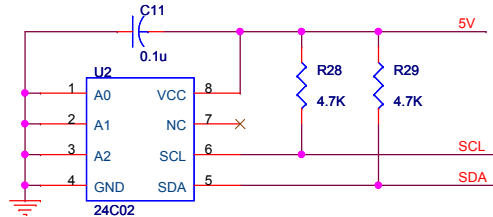
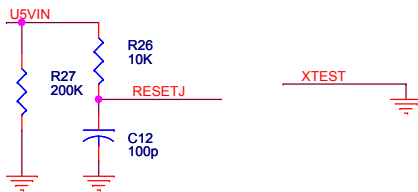


When using DB25 connector PPLH pin should be pull high.



C8 should be placed close to U3

The traces inside this block should be wider.
And, this circuit should be placed close to U1



NOTE: Part Value of some components with () means that it should not be mounted at current time (e.g. R16).

Prolific Technology Inc.