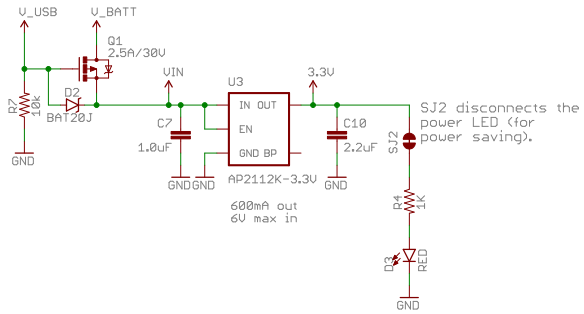
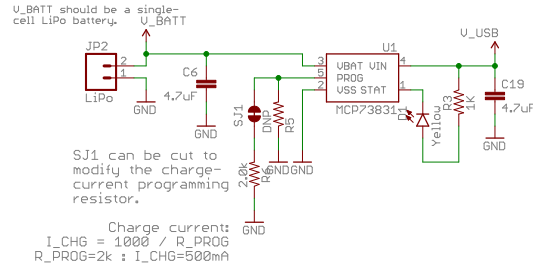


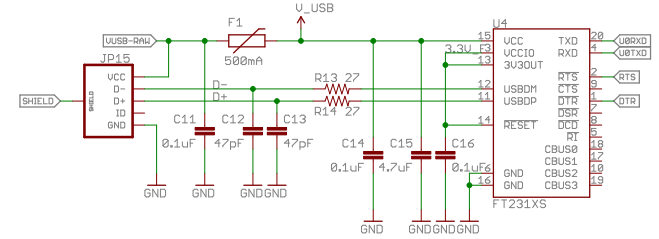
Voltage Regulator and Battery Charger



Lithium-Polymer Battery Charger (1-cell)

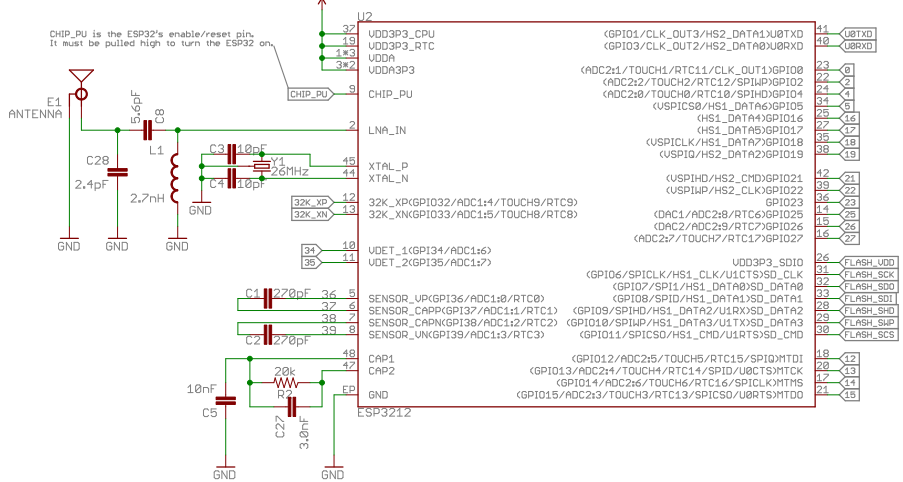


FT232XS (USB-to-Serial Converter)

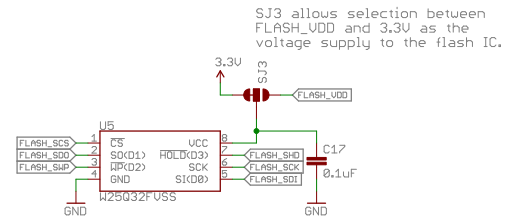


Espressif ESP32

ESP32 UCC Ranges: 2.8-3.6V



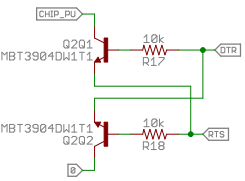
W25Q32FVSS - 4MB SPI Flash



Auto-Reset

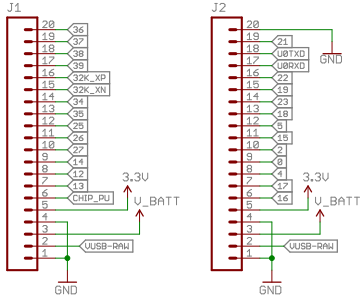
Pin	Default	Boot	Download
GPIO0	1	1	0
U0TXD	1	1	x
GPIO2	0	x	0
GPIO4	0	x	x
MTDO	1	x	x
GPIO5	1	1	x

If U0TXD, GPIO2, GPIO5 are floating, GPIO0 determines boot mode

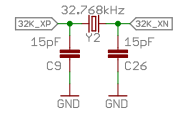


If DTR is LOW, toggling RTS from HIGH to LOW resets to run mode. If RTS is HIGH, toggling DTR from LOW to HIGH resets to bootloader.

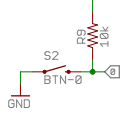
Headers



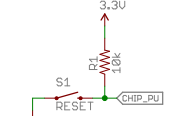
32.768kHz RTC Crystal



GPIO0 Button



Reset Button



GPIO5 LED

